

Annual Service


FRT No: 00019905

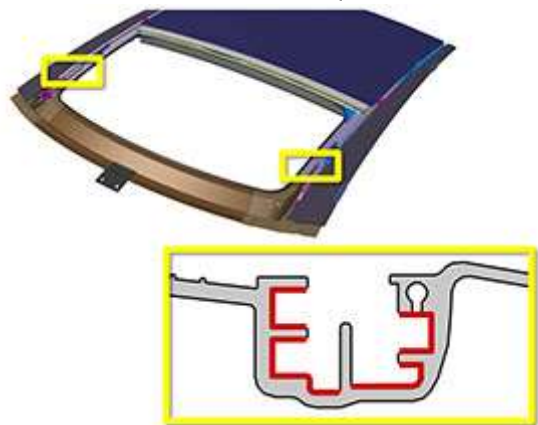
Note: Not all of the procedures listed here need to be performed at each Annual Service. Refer to SC-15-00-001 for a list of the procedures to perform at the relevant service interval.

Check for Alerts, Repair any Issues Found, Clear Alerts


1. Connect a laptop with Toolbox to the vehicle.
2. In Toolbox, select **Perspectives** > **Predefined Perspectives** > **Service Default**.
3. Check the Currently Active Alerts, Alert History, and DTCs panels.
4. After performing any necessary repairs, clear any DTCs:
 - a. In the DTCs panel, select the "Clear DTC" radio button.
 - b. Click the **Start/Play** button.

Panoramic Roof

1. Fully open the sliding glass.
2. Use compressed air to blow out the drain hoses.
 **Caution:** Do not exceed 25 PSI (1.7 Bar).
3. Wrap a clean cloth around a plastic pry tool or other thin tool, then use it to remove dirt and old grease from the 4 channels on each side of the panoramic roof.



4. Apply Klübersynth noise reduction grease to the 4 channels.

 **Caution:** Use only Klübersynth noise reduction grease, Tesla part number 1031102-00-A. Other greases can permanently damage the roof seals.

5. Move the sliding glass to the 30% open position.
6. Remove the sliding glass (refer to procedure).

7. Apply Klübersynth noise reduction grease to the sections of the tracks that were blocked by the sliding glass.
8. Visually inspect the links and shoes for damage.
9. Reinstall the sliding glass.
10. Calibrate the panoramic roof ([refer to procedure](#)).
11. Use alcohol wipes to remove any grease from the glass and appliques. Use a clean, dry cloth to remove grease from the rubber seals.



Caution: Do not use alcohol to remove grease from rubber seals. Alcohol degrades the rubber seals.

Wiper Blades

Replace the wiper blades ([refer to procedure](#)).

Cabin Air Filter

Replace the particulate filter ([refer to procedure](#)).

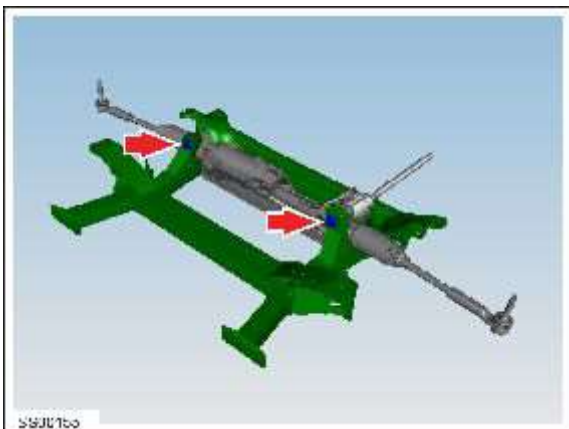
Coolant

Drain and refill the cooling system ([refer to procedure](#)).

Steering Gear Bolts

Ensure that the bolts (x2) that secure the steering rack to the subframe are torqued to 175 Nm.

Note: Components have been removed in this graphic to aid clarity.



Hood Release Latch

RWD vehicles: Clean the secondary latch, then apply the proper lubricant ([refer to procedure](#)).

Dual Motor vehicles: Clean the latch, then apply the proper lubricant ([refer to procedure](#)).

A/C Desiccant Bag

Replace the desiccant bag ([refer to procedure](#)).

Brake Fluid

Perform the full system bleed procedure ([refer to procedure](#)).

Brake Caliper Pad Slides

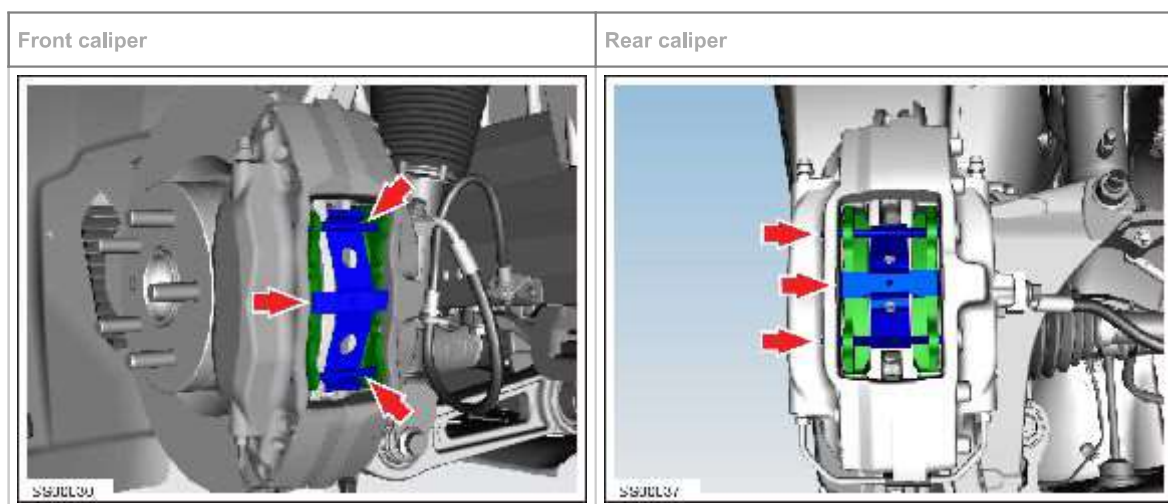
Note: This is recommended for cold weather regions.

Note: Cleaning and lubricating the caliper pad slides/abutments is not included in the Annual Service price.

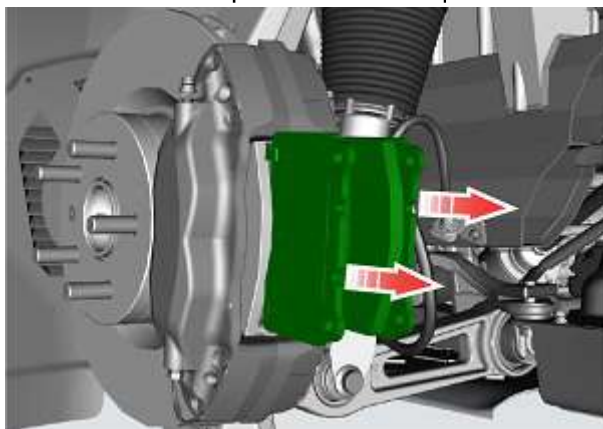
Note: Perform the following steps on all 4 calipers.

1. Remove the pad retaining pins and collect the anti-rattle spring.

Note: Always check that the anti-rattle clip has not been damaged. This part is easily damaged and is important to help eliminate squeaks.



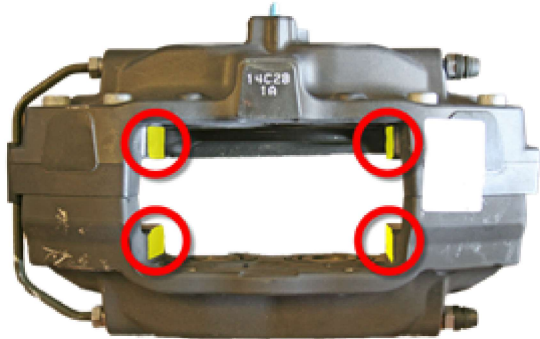
2. Use a suitable tool to gently push the pistons back into caliper.
3. Remove the brake pads from the caliper.



4. Thoroughly clean the caliper pad slides and abutments with a hand brush (1057223-00-A) and soapy water.

! **Caution:** If there is rust or pitting on the caliper that cannot be removed with a hand brush, replace the caliper.

- Front brake caliper (refer to procedure).
- Rear brake caliper (refer to procedure).



5. Apply an even layer of Silaramic lubricant (1063021-00-A) to the caliper pad slides. Remove any excess lubricant.
6. Apply an even layer of copper paste between the shim and the backing plate. Remove any paste that squeezes out after installing the shim.

! **Caution:** Ensure that the brake pads move freely.

! **Caution:** Do not apply copper paste to the caliper, seals, or any component other than the shim and backing plate.



Transmission Fluid

Drain and refill the fluid from the gearbox(es):

- **Rear wheel drive (RWD) vehicles:**
 - Drain and refill the fluid from the large rear drive unit (refer to procedure).
- **Non-Performance Dual Motor vehicles:**
 - Drain and refill the fluid from the front drive unit (refer to procedure).
 - Drain and refill the fluid from the small rear drive unit (refer to procedure).
- **Performance Dual Motor vehicles:**
 - Drain and refill the fluid from the front drive unit (refer to procedure).

- Drain and refill the fluid from the large rear drive unit ([refer to procedure](#)).

Tire Rotation

1. Refer to the recommended [tire rotation pattern](#) for the vehicle.
2. Remove the wheels and reinstall them in the appropriate positions ([refer to procedure](#)).

Thermal System Test

1. Connect a laptop with Toolbox 2.0 or later to the vehicle.
2. Navigate to **Panels > Thermal > Thermal System Test**.
3. Click the **Start/Play** button.
4. Follow the onscreen instructions.

Suspension Fasteners

1. Check the torque of the front suspension bolts ([refer to procedure](#)).
2. Check the torque of the rear suspension bolts ([refer to procedure](#)).

Wheel Alignment Check

Perform a wheel alignment check ([refer to procedure](#)).

Wheel Alignment Adjustment

Note: This is recommended if the wheel alignment check determines the wheel alignment is out of specification.

Note: Wheel alignment adjustment is not included in the Annual Service price.

Perform a wheel alignment adjustment ([refer to procedure](#)).